

National Video Corporation

4300 W. 47TH STREET CHICAGO 32, ILLINOIS
CLIFFSIDE 4-5600

The 19EGP4 is a 19"-114° cathode ray tube with filled rim implosion protection and a 4 3/8" neck length. This tube has a straight gun which requires no ion trap, a 450 milliamperere 6.3 volt filament and 50 volt G₂ for cathode drive design.

ELECTRICAL DATA

Focusing Method	Electrostatic
Deflection Method	Magnetic
Deflection Angles (Approximate)	
Diagonal	114 Degrees
Horizontal	102 Degrees
Vertical	85 Degrees
Direct Interelectrode Capacitances	
Cathode to all other electrodes (approximate)	5 uuf
Grid No. 1 to all other electrodes (approximate)	6 uuf
External conductive coating to anode (Note 1)	1,500 max. uuf 1,000 min. uuf
Resistance Between External Conductive Coating and Implosion Protection Hardware	50 min. megohms
Heater Current at 6.3 Volts	450 \pm 20 ma
Heater Warm-up Time	11 Seconds

OPTICAL DATA

Phosphor Number	P-4 Aluminized
Light Transmittance at Center (Approximate)	49 per cent
Antireflection Treatment	No

MECHANICAL DATA

Over-all Length	11 5/8 \pm 1/4 Inches
Neck Length	4 3/8 \pm 1/8 Inches
Greatest Dimensions of Shell	
Diagonal	20 7/8 \pm 3/32 Inches
Width	17 1/8 \pm 1/16 Inches
Height	14 5/64 \pm 1/16 Inches
Minimum Useful Screen Dimensions (Projected)	
Diagonal	17 9/16 Inches
Horizontal Axis	15 1/8 Inches
Vertical Axis	12 Inches
Area	172 Sq. Inches
Implosion Protection	Filled Rim

MECHANICAL DATA (Cont.)

Bulb	JEDEC Designation	J-149-F1
Bulb Contact	JEDEC Designation	J1-21
Base	JEDEC Designation	B7-208
Basing	JEDEC Designation	8HR
Bulb Contact Alignment		
	J1-21 contact aligns with Pin Position No. 4	+30°

RATINGS (Design Maximum System)

Unless otherwise specified, voltage values are positive and measured with respect to Grid #1.

Maximum Anode Voltage	21,000 Volts
Minimum Anode Voltage	12,000 Volts
Maximum Grid No. 4 (Focusing Electrode) Voltage	+1,000 -500 Volts
Maximum Grid No. 2 Voltage	60 Volts
Minimum Grid No. 2 Voltage	25 Volts
Cathode Voltage	
Maximum Negative Value	0 Volts dc
Maximum Negative Peak Value	2 Volts
Maximum Positive Value	100 Volts dc
Maximum Positive Peak Value	150 Volts
Maximum Heater Voltage	6.9 Volts
Minimum Heater Voltage	5.8 Volts
Heater negative with respect to cathode	
During warm-up period not to exceed 15 seconds	450 Volts
After equipment warm-up period	200 Volts
Heater positive with respect to cathode	200 Volts

CATHODE DRIVE SERVICE

Unless otherwise specified, all voltage values are positive with respect to Grid No. 1.

Anode Voltage	16,000 Volts dc
Grid No. 4 Voltage (Focusing Electrode)	250 Volts dc
(Notes 3 & 4)	
Grid No. 2 Voltage	50 Volts dc
Cathode Voltage (Note 2)	35 to 55 Volts dc

MAXIMUM CIRCUIT VALUES

Maximum Grid No. 1 Circuit Resistance	1.5 Megohms
---------------------------------------	-------------

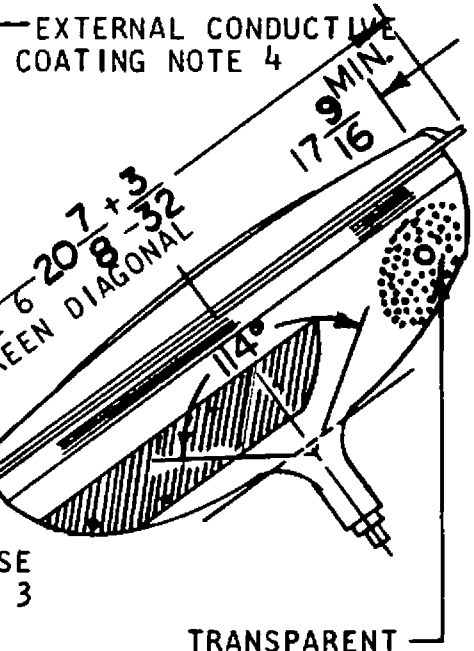
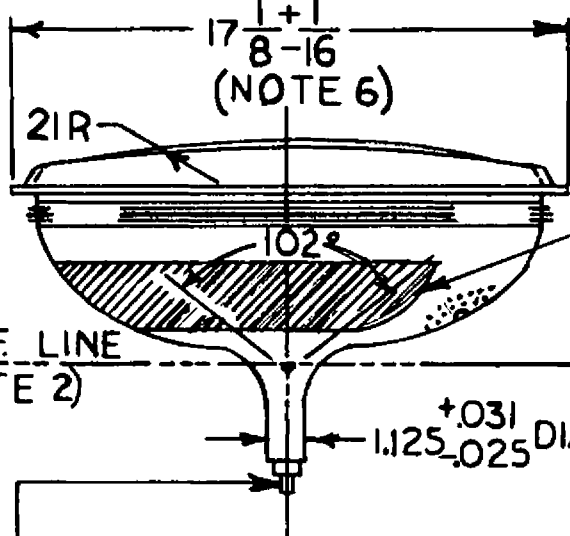
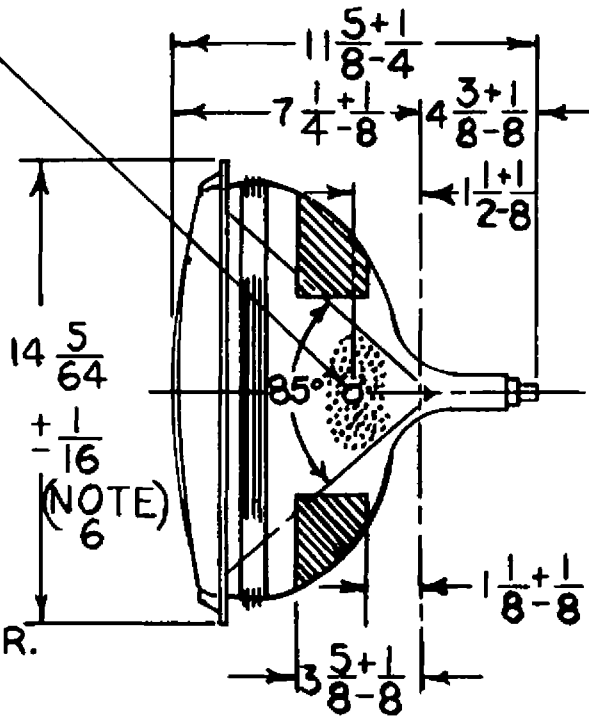
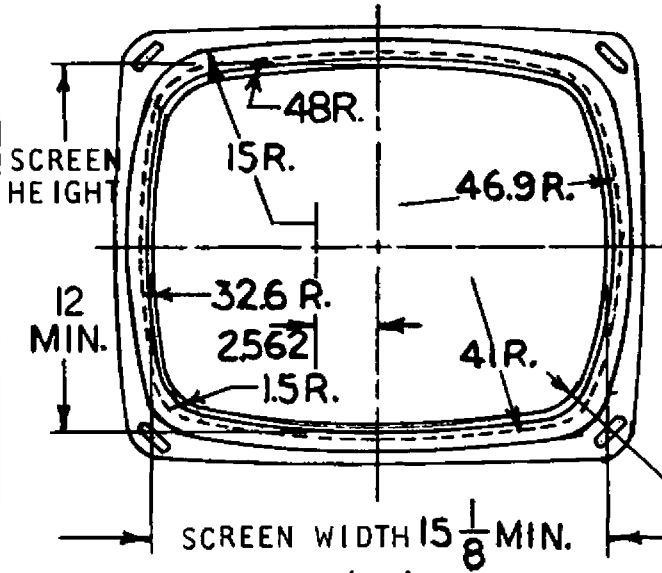
GRAPHS AND DRAWINGS

Tube Outline with Essential Dimensions and Tolerances

Pin Connections:

Pin 1	Heater	Pin 6	Grid #1
Pin 2	Grid #1	Pin 7	Cathode
Pin 3	Grid #2	Pin 8	Heater
Pin 4	Grid #4		

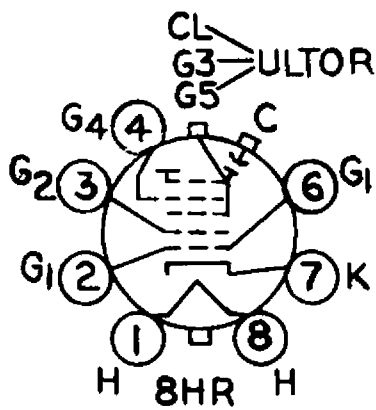
ULTOR RECESSED SMALL
CAVITY CAP JEDEC J1-21
NOTE 1



SMALL BUTTON NINEEIGHTAR 7 PIN BASE
ARRANGEMENT 1 JEDEC #B7-208 NOTE 3

EXTERNAL CONDUCTIVE
COATING NOTE 4

TRANSPARENT
INSULATING
COATING
NOTE 5



- PIN 1: HEATER
- PIN 2: GRID NO.1
- PIN 3: GRID NO.2
- PIN 4: GRID NO.4
- PIN 6: GRID NO.1
- PIN 7: CATHODE
- PIN 8: HEATER
- CAP: ULTOR (GRID NO.3 GRID NO. 5 COLLECTOR)
- C: EXTERNAL CONDUCTIVE COATING.

DRAWN BY	SCALE	EFFECTIVE	DISTRIBUTION	DRAWING NO.
W. C. GRAF		1-6-64		19 EGP 4

NOTES:

1. Measured with implosion protection hardware (if any) connected to external coating.
2. Visual extinction of focused raster.
3. With the combined Grid No. 1 bias voltage and video-signal voltage adjusted to give an anode current of 100 microamperes on a 15 1/8" by 12" pattern from RCA 2F21 monoscope or equivalent.
4. Individual tubes will have satisfactory focus at some value between 0 and +400 volts.

NOTES FOR DIMENSIONAL OUTLINE

1. The plane through the tube axis and Pin No. 4 may vary from the plane through the tube axis and ultor terminal by angular tolerance (measured about the tube axis) of $\pm 30^\circ$. Ultor terminal is on same side as Pin No. 4.
2. With tube neck inserted through flared end of reference-line gauge JEDEC No. G-126 and with tube seated in gauge, the reference-line is determined by the intersection of the Plane CC' of the gauge with the glass funnel.
3. Socket for this base should not be rigidly mounted; it should have flexible leads and be allowed to move freely. The design of the socket should be such that the circuit wiring cannot impress lateral strains through the socket contacts on the base pins. Bottom circumference of base wafer will fall within a circle concentric with bulb axis and having a diameter of 1 3/4".
4. External conductive coating must be grounded.
5. To clean this area, wipe only with soft dry lint-less cloth.
6. Measured at O.D. of shell.