



922

**HIGH-VACUUM PHOTOTUBE**

CARTRIDGE TYPE

Cathode	Semi-cylindrical	
Photosurface		S2
Window Area		0.4 sq. in. ←
Direct Interlectrode Capacitance		0.5 μpf ←
Overall Length		1-21/32 ± 1/16"
Maximum Diameter		15/16"
Bulb		Lime glass
Terminal Connections (see outline drawing)		Special
Terminal Mounting		RCA Stock No. 9926
Mounting Position		Any

*Maximum Ratings Are Absolute Values***MAXIMUM RATINGS and CHARACTERISTICS**

Anode-Supply Voltage (D.C. or Peak A.C.)	500 max. volts
Anode Current <sup>•</sup>	30 max. μamp.
Ambient Temperature	100 max. °C ←
Luminous Sensitivity*	20 μamp./lumen
Sensitivity at 8000 Angstroms	0.0020 μamp./μwatt
D-C Resistance of Load:	
<i>With Anode-supply voltage of</i> 250 volts	1 min. megohm
<i>With anode-supply voltage of</i> 500 volts	10 min. megohms

<sup>•</sup> On the basis of the use of a sensitive cathode area 1/2" in diameter.

\* Subject to variations as explained on sheet PHOTOTUBE SENSITIVITY MEASUREMENTS in the front of this section.

**CURVES**

for the 922 are the same as those for the 917.

Spectral Sensitivity Characteristic of S2 Photosurface in lime-glass bulb is shown at beginning of this section.

← Indicates a change.

Mar. 20, 1943

RCA VICTOR DIVISION

DATA

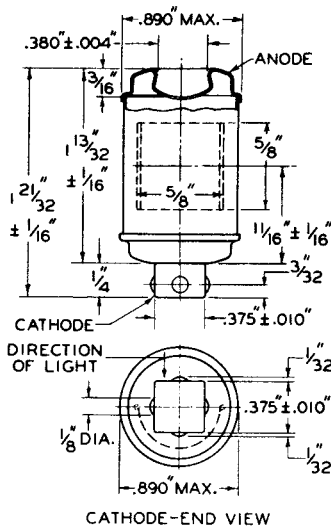
RADIO CORPORATION OF AMERICA, HARRISON, NEW JERSEY

922



922

## HIGH-VACUUM PHOTOTUBE



92C-4818R1

← Indicates a change.

Mar. 20, 1943

RCA VICTOR DIVISION  
RADIO CORPORATION OF AMERICA, HARRISON, NEW JERSEY

CE-4818R1



922

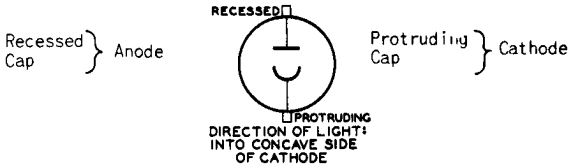
922

**VACUUM PHOTOTUBE**

CARTRIDGE TYPE WITH S-1 RESPONSE

*For relay applications***DATA****General:**

Spectral Response . . . . .	S-1
Wavelength of Maximum Response . . . . .	8000 ± 1000 angstroms
Cathode:	
Shape . . . . .	Semicylindrical
Minimum projected length* . . . . .	5/8"
Minimum projected width* . . . . .	1/2"
Direct Interelectrode Capacitance . . . . .	1 μμf
Overall Length . . . . .	1-21/32" + 1/32" - 1/16" ←
Seated Length . . . . .	1-13/32" ± 1/32" ←
Length from Center of Useful Cathode Area to Plane A-A' (See Dimensional Outline) . . . . .	
Maximum Diameter . . . . .	0.890"
Mounting Position . . . . .	Any ←
Weight (Approx.) . . . . .	0.4 oz ←
Terminals:	
Recessed cap. . . . .	JETEC No. J1-23 ←
Protruding cap. . . . .	JETEC No. J1-24 ←
Basing Designation . . . . .	2A0 ←

**Maximum Ratings, Absolute Values:**

ANODE-SUPPLY VOLTAGE (DC or Peak AC) . . . . .	500 max.	volts ←
AVERAGE CATHODE-CURRENT DENSITY <sup>o</sup> . . . . .	30 max.	μamp/sq. in. ←
AVERAGE CATHODE CURRENT <sup>o</sup> . . . . .	5 max.	μamp ←
AMBIENT TEMPERATURE . . . . .	100 max.	°C ←

**Characteristics, At 250 Volts on Anode:**

	<i>Min.</i>	<i>Median</i>	<i>Max.</i>	
Sensitivity:				
Radiant, at				
8000 angstroms . . . . .	-	0.0018	-	μamp/μwatt ←
Luminous <sup>▲</sup> . . . . .	10	20	40	μamp/lumen ←
Anode Dark Current				
at 25°C . . . . .	-	-	0.005	μamp ←

\* On plane perpendicular to indicated direction of incident light.

<sup>o</sup> Averaged over any interval of 30 seconds maximum.

▲ For conditions where the light source is a tungsten-filament lamp operated at a color temperature of 2870°K. A dc anode supply of 250volts, a 1-megohm load resistor, and a light input of 0.1 lumen are used.

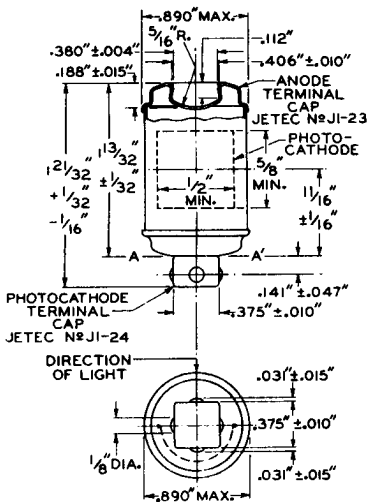
← indicates a change.



# VACUUM PHOTOTUBE

SPECTRAL-SENSITIVITY CHARACTERISTIC  
of Phototube having S-1 Response  
is shown at the front of this Section

AVERAGE ANODE CHARACTERISTICS  
for Type 922 are the same as those shown for Type 917



92CM-4818R5