

Low Current Primed Sub-Miniature Reference Tube

GTR83W

Limit Ratings

Minimum cathode current	50 μ A
Maximum cathode current	250 μ A
Minimum anode supply voltage:— (in light or dark)	
with primer not connected	135 V
with primer passing 10 μ A	95 V
Minimum primer supply voltage	150 V
Maximum primer series resistance	5.6 M Ω

Characteristics

Running voltage at 50 μ A	82—86 V
*Maximum change in running voltage for a current change from 50 μ A to 250 μ A	5.0 V
Primer Running Volts	95 V nominal
Noise	1 mV p.t.p. max.

* The tube characteristic is linear and jump-free.

Recommended Operation

Primer connected via 2.7M Ω to anode supply rail	
Supply volts	> 150 V
Cathode current	100 μ A

Life

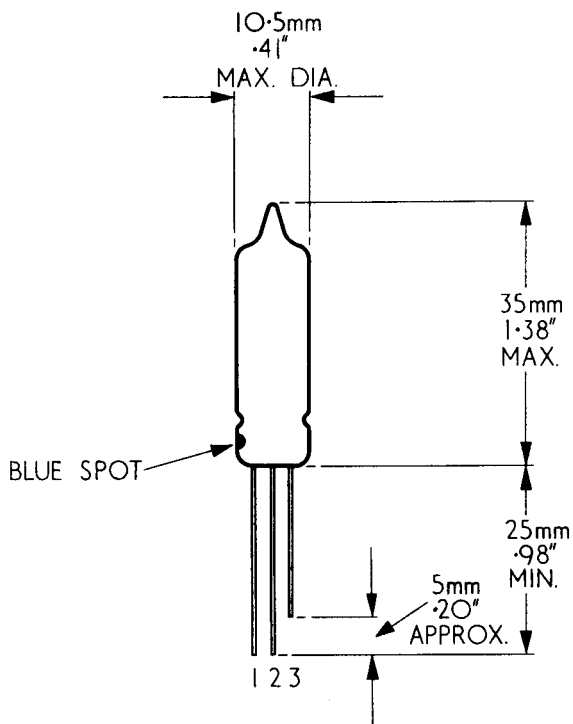
At 100 μ A, the maximum change in running voltage per 1,000 hours is 1%.



GTR83W**Low Current
Primed Sub-Miniature Reference Tube****Mechanical Data**

Base 3 flying leads of 0.4 mm (-0157") dia.
tinned copper

Anode lead is indicated by a blue spot adjacent to the lead-out wire.



1. Anode
2. Cathode
3. Primer