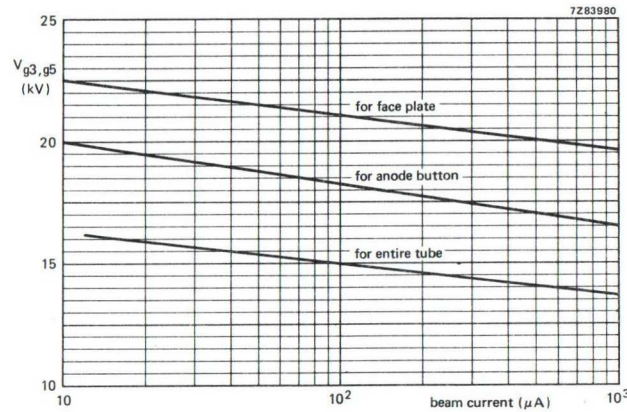


MONITOR TUBES



0,5 mR/h isoexposure-rate limit curves, measured according to TEPAC103A.

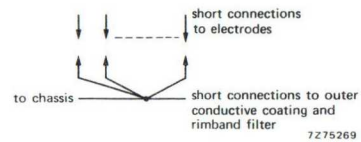
Product safety

X-ray shielding of the cone is advisable to give protection against possible danger of personal injury arising from prolonged exposure at close range to this tube when operated above 14 kV.

FLASHOVER PROTECTION

With the high voltage used with this tube internal flashovers may occur. These may destroy the cathode of the tube. Therefore it is necessary to provide protective circuits, using spark gaps.

The spark gaps must be connected as follows:



No other connections between the outer conductive coating and the chassis are permissible.

- 17 cm diagonal rectangular flat face
- 70° deflection angle
- high resolution
- quick heating cathode
- bonded face plate
- metal band for mounting
- M17-143WE: for use in precision monitors and as a viewfinder in television cameras
- M17-145WE: for use in photographic equipment (see Optical Data)

QUICK REFERENCE DATA

| | |
|----------------------------|---------------------|
| Deflection angle, diagonal | 70 ° |
| Face diagonal | 17 cm |
| Neck diameter | 28 mm |
| Overall length | max. 240 mm |
| Screen dimensions | min. 124 mm x 93 mm |
| Resolution | min. 1050 lines |

ELECTRICAL DATA

Capacitances

final accelerator to metal band
final accelerator to external conductive coating
cathode to all other elements
grid 1 to all other elements

$C_{g3,g5(l)/m'}$ 135 pF
 $G_{g3,g5(l)/m}$ 240 pF
 C_k 3,6 pF
 C_{g1} 7 pF

Focusing method

electrostatic

Deflection method

magnetic*

Deflection angle, diagonal

70°

Heating

indirect by a.c. or d.c.**

heater voltage
heater current

V_f 6,3 V
 I_f 240 mA

Heating time to attain 10% of the cathode current at equilibrium conditions

approx. 5 s

OPTICAL DATA

Screen

metal-backed phosphor

Phosphor type

WE ▲

fluorescent colour
persistence

white
medium short

Useful screen dimensions

diagonal
horizontal axis
vertical axis

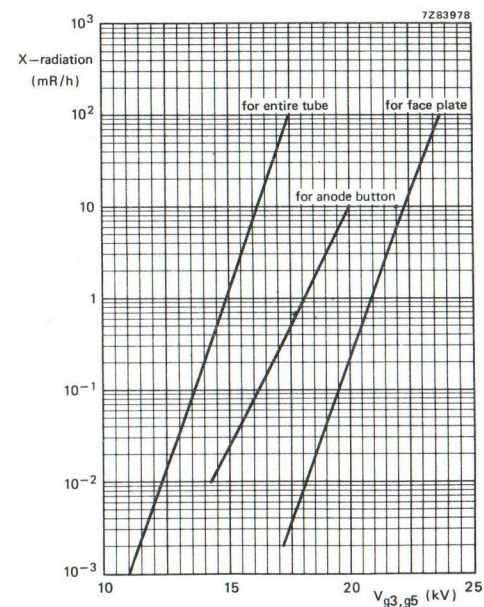
min. 155 min.
min. 124 min.
min. 93 min.

Light transmission of screen

approx. 88%

Note: The M17-145WE has an improved screen blemish specification, to meet the extreme requirements of photographic recording equipment.

X-RADIATION LIMIT



X-radiation limit curves, at a constant anode current of 250 μA, measured according to TEPAC103A.

* To obtain the best tube performance, deflection unit AT1071/07 should be used.

** Not to be connected in series with other tubes.

▲ Other phosphors available to special order.

RECOMMENDED OPERATING CONDITIONS

| | | | |
|---|----------------|-----------|-------------|
| Final accelerator voltage | $V_{g3,g5(l)}$ | 14 | 16 kV |
| Focusing electrode voltage | V_{g4} | 0 to 400* | 0 to 400 V* |
| First accelerator voltage | V_{g2} | 400 | 600 V |
| Cut-off voltage for visual extinction of focused spot | $-V_{g1}$ | 30 to 62 | 40 to 90 V |

RESOLUTION

Resolution at screen centre, measured with shrinking raster method (non-interlaced raster), and with beam centring magnet**

at $V_{g3,g5(l)} = 14$ kV, $V_{g2} = 400$ V,
 $I_{\lambda} = 20$ μ A, luminance = 400 cd/m² ▲

min. 1050 lines

at $V_{g3,g5(l)} = 16$ kV, $V_{g2} = 600$ V,
 $I_{\lambda} = 20$ μ A, luminance = 500 cd/m² ▲

min. 1250 lines

LIMITING VALUES

| | | | |
|----------------------------|----------------|-----------|-------------|
| Final accelerator voltage | $V_{g3,g5(l)}$ | max. | 18 kV |
| | | min. | 12 kV |
| Focusing electrode voltage | V_{g4} | max. | 1 kV |
| | | $-V_{g4}$ | max. 0,5 kV |
| First accelerator voltage | V_{g2} | max. | 800 V |
| | | min. | 300 V |
| Control grid voltage | $-V_{g1}$ | max. | 150 V |
| | | V_{g1} | max. 0 V |
| | | V_{g1p} | max. 2 V |
| Cathode to heater voltage | V_{kf} | max. | 125 V |
| | | $-V_{kf}$ | max. 125 V |

MECHANICAL DATA (see also the figures on the next page)

| | |
|---------------------------|-----------------------------------|
| Overall length | 232 ± 8 mm |
| Neck diameter | min. 27,8 mm |
| Base | neo eightar, B8H; IEC 67-1-31a |
| Final accelerator contact | cavity contact, CT8; IEC 67-III-2 |
| Implosion protection | bonded face plate |
| Net mass | approx. 1 kg |

Mounting

The tube can be mounted in any position. It must not be supported by the socket and not by the base region alone.

Accessories

| | |
|-------------------------------------|---------|
| Final accelerator contact connector | 55563 A |
|-------------------------------------|---------|

* For optimum focus at a beam current of 50 μ A.

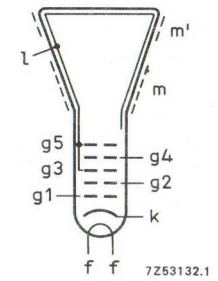
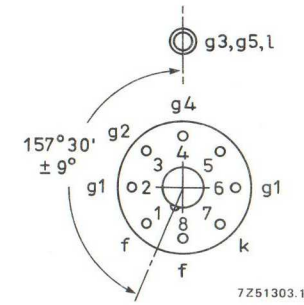
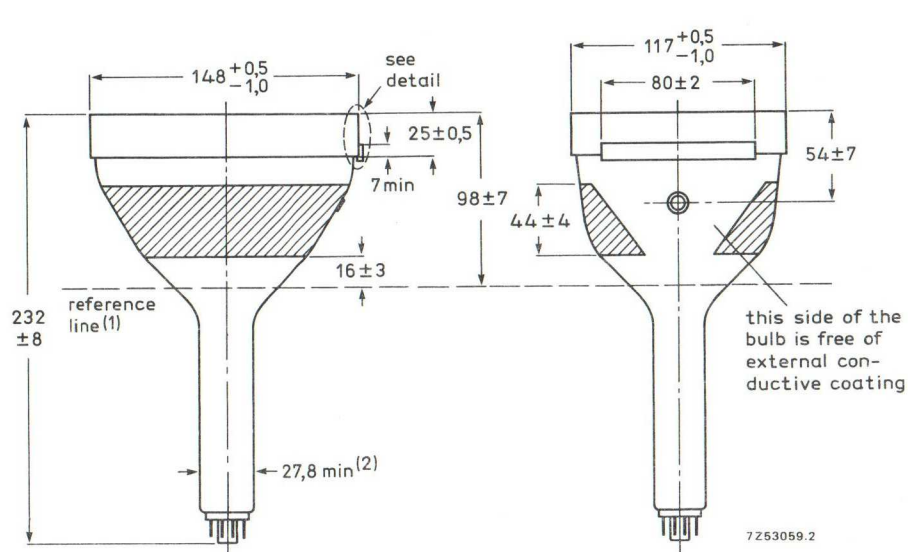
** Catalogue number 3322 142 11401; supplied with directions for use with each tube.

▲ Luminance is measured with a photocell, of which the spectral response curve is identical to that of the human eye, on a 312-lines raster with dimensions 70 mm x 70 mm.

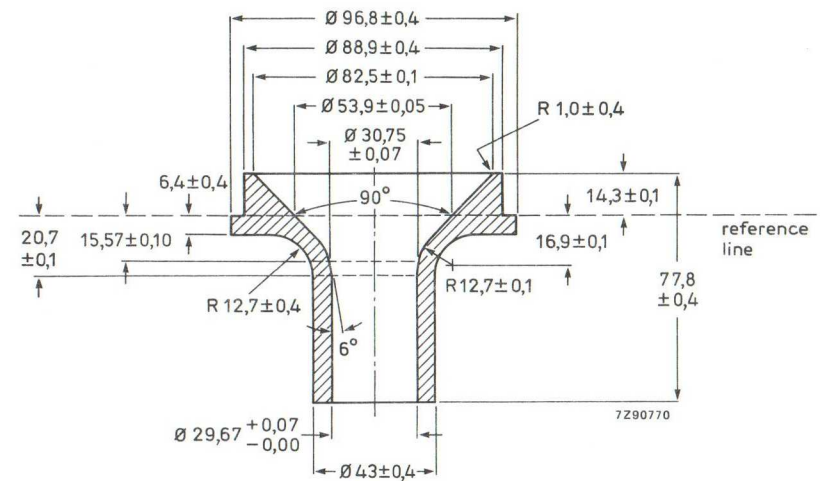
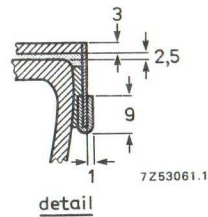
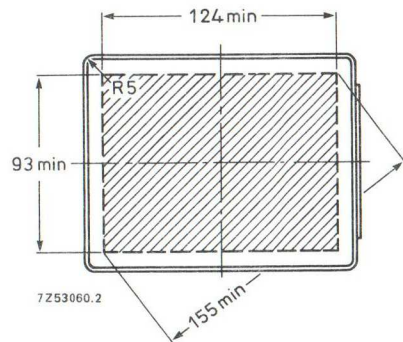


MECHANICAL DATA

Dimensions in mm



Reference line gauge



- (1) Reference line, determined by the plane of the upper edge of the flange of the reference line gauge when the gauge is resting on the cone.
- (2) The maximum dimension is determined by the reference line gauge.