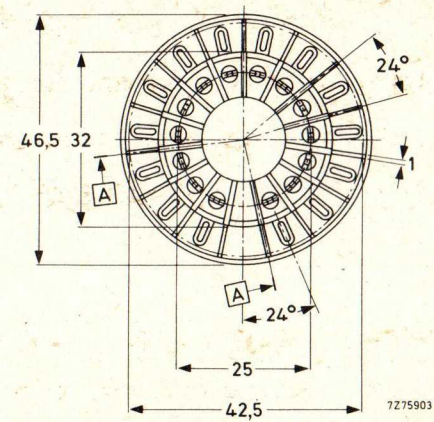
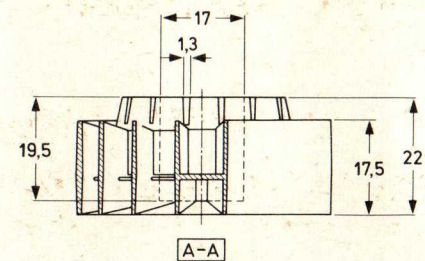
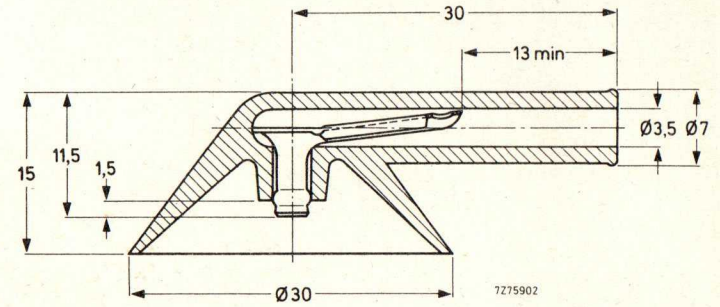


TUBE SOCKET



blue binder, tab 13

FINAL ACCELERATOR CONTACT CONNECTOR

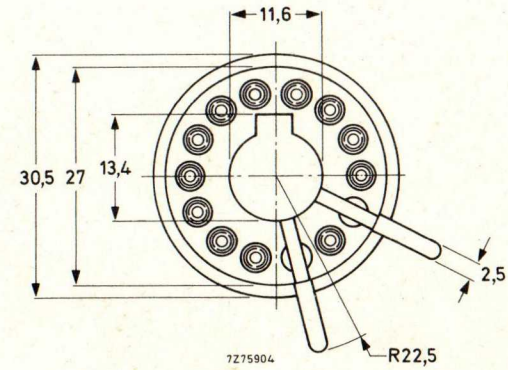
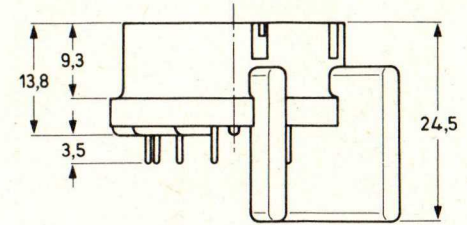


blue binder, tab 13

Insulating material: silicon rubber.

TUBE SOCKET

- For 12-pin all glass base



blue binder, tab 13



MU-METAL SCREEN

blue binder, tab 13

