

Security Classification: Confidential

Type 2J58 - Tunable Magnetron

General Characteristics

Electrical

Cathode	Coated Unipotential
Filament voltage	6.3 volts
Filament current	1.5 amps
Frequency range	2965-3019 Mc.
Magnetic Field Strength	1450 gauss
Peak anode voltage	10,500 volts
Power output at .002 duty cycle and 12.5 peak amperes	60 watts

Mechanical

Maximum Dimensions - see outline drawing
Base Connections - see outline drawing
Mounting position - any

Maximum Ratings

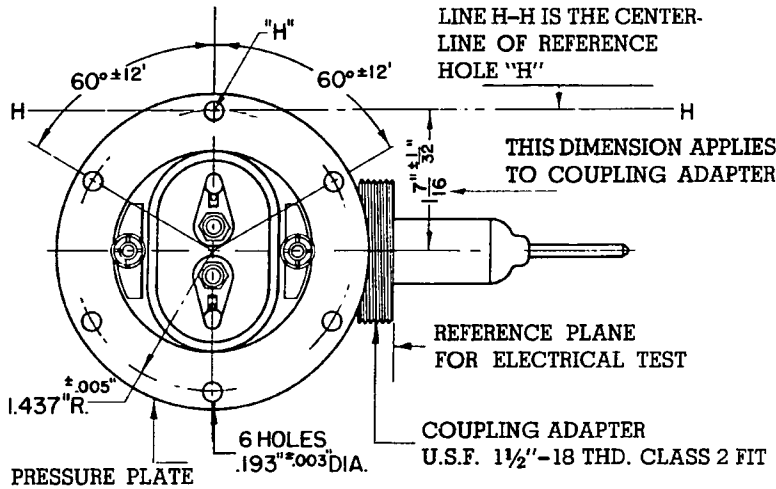
Duty Cycle*	.002
Peak Anode Voltage	14,000 volts
Peak Anode Current	15 amps
Anode Dissipation	200 watts
Anode Temperature	100 C degrees

* In any 100 microsecond interval, the tube shall not be operated longer than 5 microseconds.

Sponsor: Raytheon Manufacturing Company - Power Tube Division

from RMA release # 456, Nov. 23, 1945

**TECHNICAL INFORMATION
TUNABLE MAGNETRON OSCILLATOR
OUTLINE DRAWING**



TUNING GEAR IS ASSEMBLED WITH STOP DEVICE TO PERMIT TWO TURNS (700 DEGREES) FOR TUNING

SOLDERED JOINTS IN THE PRESSURE PLATE ARE VACUUM TIGHT SO THAT IT MAY BE USED TO PROVIDE A HERMETIC SEAL. ALL POINTS ON REFERENCE SURFACE ARE FLAT TO WITHIN .010" FOR 1/2" IN FROM OUTER EDGE.

COMMON HEATER-CATHODE CONNECTION INDICATED BY LETTER "C"

TWO HEX. HD. PIN JACKS 1 9/32" LONG, LOCATED WITHIN A RADIUS OF .023" OF THE LOCATION SPECIFIED. WILL FIT STANDARD G. R. NO. 274 BANANA PINS

