



RCA-1961
PROTECTIVE TUBE

The RCA-1961 is designed for use as a protective tube. The voltage characteristics shown under TENTATIVE DATA apply only for 60-cycle sine-wave operation. Normal variations in ambient temperature have negligible effect on the tube's performance.

TENTATIVE DATA

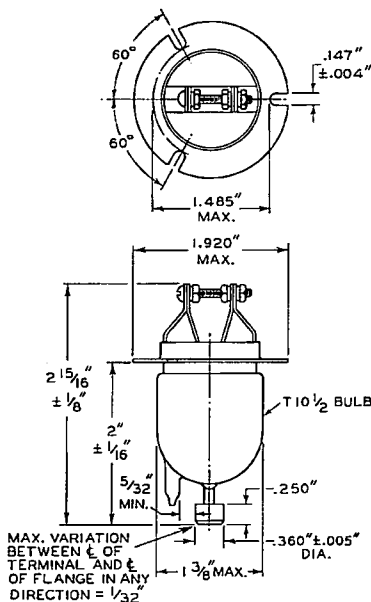
INTERELECTRODE CAPACITANCE	1.35 μ f
DIMENSIONS	See <i>OUTLINE DRAWING</i>
MOUNTING	Supplied with Tube
MOUNTING POSITION	Any
TERMINALS	Cap and Flange

Characteristics Measured on 60-Cycle Sine-Wave Supply

PEAK SUPPLY VOLTAGE	770 min. Volts
PEAK INITIAL BREAKDOWN VOLTAGE (Tube cold)	770 max. Volts
PEAK RECURRENT BREAKDOWN VOLTAGE*	670 max. Volts
TUBE VOLTAGE DROP*	220 Volts

* With tube current of 30 ma.

NOTE: The energy dissipated in the tube should not be sufficient to establish a sustained arc.



92C-6332