



# Air-Blast-Cooled R.F. Triode

## 3J/192E

### CATHODE.

Thoriated tungsten filament

Voltage	5	V
Nominal current	66	A
Peak emission	12	A

### RATING.

Amplification factor	$\left\{ \begin{array}{l} \text{Measured at} \\ V_a 6kV, I_a 0.9A \end{array} \right\}$	17	
Impedance		1,500	$\Omega$

### DIRECT INTER-ELECTRODE CAPACITIES.

Grid to anode	35	pF
Grid to filament	27	pF
Anode to filament	1.5	pF

### COOLING.

Air blast for anode dissipation of 4.5 kW

Volume of air at a pressure of 1.5 inches of water	350	cu. ft./min.
Maximum radiator core temperature	130°	C.
Maximum ambient temperature	45°	C.

### DIMENSIONS.

Maximum overall length	240	mm.
Maximum diameter over cooler	150	mm.

### MAXIMUM RATINGS.

Maximum direct anode voltage	7	kV
Maximum direct anode current	2	A
Maximum anode dissipation	4.5	kW
Maximum grid dissipation	350	W
Maximum frequency for above ratings	22	Mc/s

# Air-Blast-Cooled R.F. Triode



3J/192E

## TYPICAL OPERATING CONDITIONS RADIO FREQUENCY

### Class B Telephony Modulated Carrier applied to Grid.

(Carrier conditions per valve for use with 100% modulation).

Direct anode voltage	5	kV
Grid bias	-300	V
Direct anode current	1	A
Peak R.F. grid voltage at crest of modulation cycle	750	V
Power output	1.6 kW approx.	

### Class C Power Amplifier. Anode subject to modulation.

(Carrier conditions per valve for use with 100% modulation).

Direct anode voltage	5	kV
Grid bias	-750	V
Direct anode current	1.25	A
Peak R.F. grid voltage	1,170	V
Power output	4.4 kW approx.	

### Class C Power Amplifier or Oscillator, unmodulated.

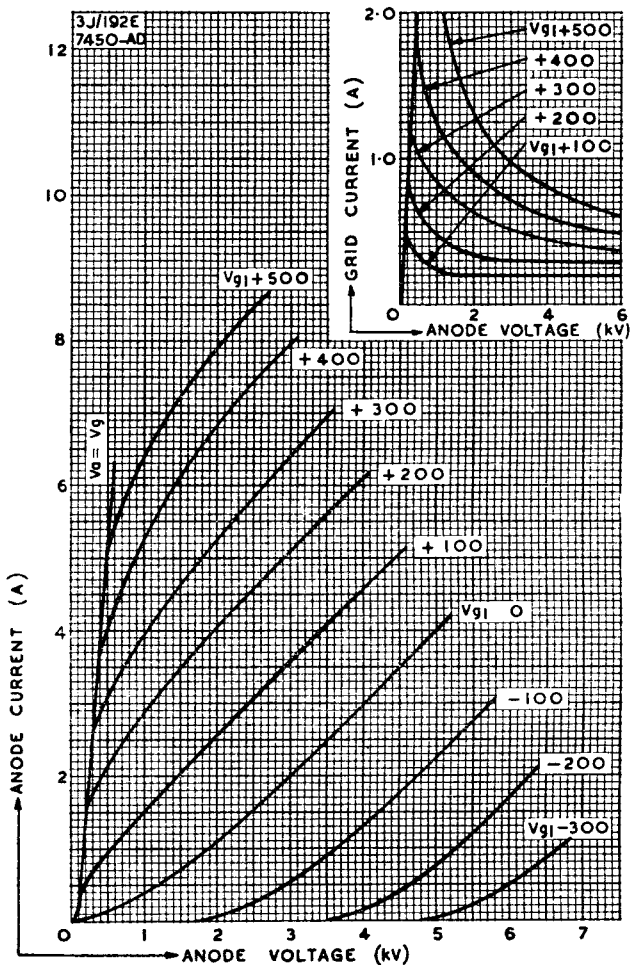
Direct anode voltage	7	kV
Grid bias	-650	V
Direct anode current	2	A
Peak R.F. grid voltage	1,100	V
*Direct grid current	0.35	A approx.
Power output	10	kW

\* Subject to wide variation depending upon the impedance of the load circuit.



# Air-Blast-Cooled R.F. Triode

3J/192E

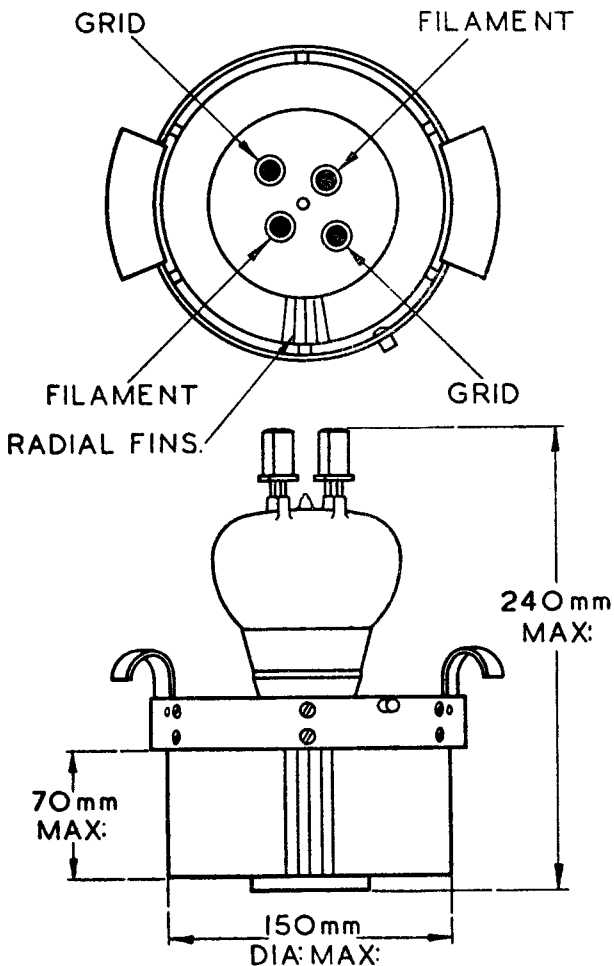


3J/192E

# Air-Blast-Cooled R.F. Triode



3J/192E



May 1947

3J/192E-4