

TUNG-SOL

CATHODE RAY

COATED UNIPOTENTIAL CATHODE

HEATER

6.3 VOLTS 0.6 AMPERE

AC OR DC

ANY MOUNTING POSITION

THE 12LP4A IS A MAGNETIC FOCUS AND MAGNETIC DEFLECTION DIRECT VIEW PICTURE TUBE FOR TELEVISION RECEIVERS. IT HAS A GREY NEUTRAL-DENSITY FACEPLATE FOR INCREASED PICTURE CONTRAST AND DETAIL UNDER HIGH AMBIENT LIGHT CONDITIONS.

DESCRIPTION

FLUORESCENCE	WHITE
PERSISTENCE	MEDIUM
DEFLECTION AND FOCUSING METHOD	MAGNETIC
DEFLECTION ANGLE (APPROX.)	54 DEGREES
EXTERNAL COATING WHEN GROUNDED ACTS AS A FILTER CAPACITOR	
ELECTRON GUN TO BE USED WITH ION-TRAP MAGNET	
BULB CONTACT	RECESSED SMALL CAVITY CAP

DIRECT INTERELECTRODE CAPACITANCES - APPROX.

CATHODE TO ALL OTHER ELECTRODES: K TO (H+G ₁ +G ₂ +A)	5	μf
GRID #1 TO ALL OTHER ELECTRODES: G ₁ TO (H+K+G ₂ +A)	6	μf
MAXIMUM EXTERNAL CONDUCTIVE COATING TO ANODE	3 000	μf
MINIMUM EXTERNAL CONDUCTIVE COATING TO ANODE	750	μf

RATINGS

INTERPRETED ACCORDING TO RMA STANDARD MB-210

DESIGN CENTER VALUES

HEATER VOLTAGE	6.3	VOLTS
MAXIMUM ANODE VOLTAGE	12 000	VOLTS
MAXIMUM GRID #2 VOLTAGE	410	VOLTS
MAXIMUM GRID #1 VOLTAGE:		
NEGATIVE BIAS VOLTAGE	125	VOLTS
POSITIVE BIAS VOLTAGE	0	VOLTS
POSITIVE PEAK VOLTAGE	2	VOLTS
MAXIMUM PEAK HEATER CATHODE VOLTAGE:		
HEATER NEGATIVE WITH RESPECT TO CATHODE DURING EQUIPMENT WARM-UP PERIOD NOT EXCEEDING 15 SECONDS	125	VOLTS
HEATER POSITIVE WITH RESPECT TO CATHODE	125	VOLTS

TYPICAL OPERATING CONDITIONS AND CHARACTERISTICS

HEATER VOLTAGE	6.3	VOLTS
HEATER CURRENT	0.6	AMP.
ANODE VOLTAGE ^A	11 000	VOLTS
GRID #2 VOLTAGE	250	VOLTS
GRID #1 VOLTAGE ^B	-27 TO -63	VOLTS
FOCUSING COIL CURRENT (APPROX.) ^C	110	MA.
ION-TRAP CURRENT (APPROX.) ^D	120	MA.
GRID #1 CIRCUIT RESISTANCE	1.5	MEGOHMS

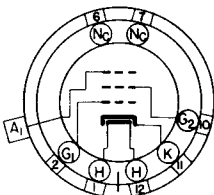
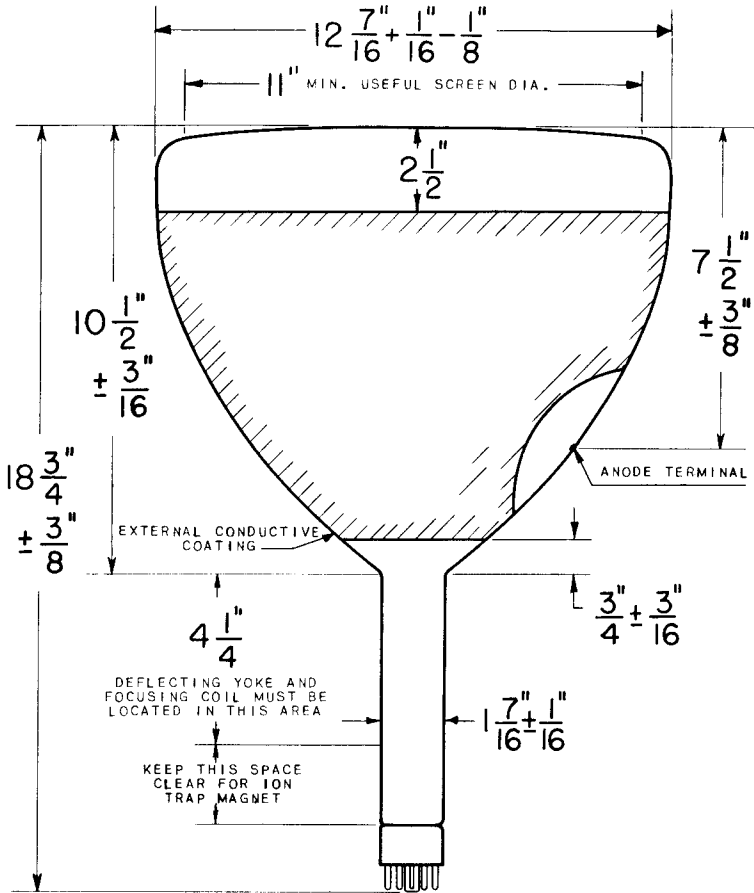
^A ANODE CONTACT ALIGNS WITH VACANT PIN POSITION #3 ± 10 DEGREES.

^B VISUAL EXTINCTION OF UNDEFLECTED FOCUSED SPOT.

^C FOR JETEC STANDARS: FOCUS COIL WITH THE COMBINED GRID #1 BIAS VOLTAGE AND VIDEO SIGNAL VOLTAGE ADJUSTED TO PRODUCE A HIGHLIGHT BRIGHTNESS OF 20 FOOT LAMBERTS ON A 7 1/2 X 10 INCH PICTURE AREA. DISTANCE FROM REFERENCE LINE OF BULB TO CENTER OF FOCUS COIL AIR GAP SHALL BE 3.25 IN.

^D WITH JETEC STANDARD ION-TRAP MAGNET.

TUNG-SOL



SMALL SHELL DUODECAL
7 PIN BASE
120

- 1. HEATER
- 2. GRID NO. 1
- 6. NO CONNECTION
- 7. NO CONNECTION
- 10. GRID NO. 2
- 11. CATHODE
- 12. HEATER
- CAP. ANODE NO. 1